

PIXIE DRIVER 2000 V3

User Manual

©2024 ADJ Products, LLC all rights reserved. Information, specifications, diagrams, images, and instructions herein are subject to change without notice. ADJ Products, LLC logo and identifying product names and numbers herein are trademarks of ADJ Products, LLC. Copyright protection claimed includes all forms and matters of copyrightable materials and information now allowed by statutory or judicial law or hereinafter granted. Product names used in this document may be trademarks or registered trademarks of their respective companies and are hereby acknowledged. All non-ADJ Products, LLC brands and product names are trademarks or registered trademarks of their respective companies.

ADJ Products, LLC and all affiliated companies hereby disclaim any and all liabilities for property, equipment, building, and electrical damages, injuries to any persons, and direct or indirect economic loss associated with the use or reliance of any information contained within this document, and/or as a result of the improper, unsafe, insufficient and negligent assembly, installation, rigging, and operation of this product.

ADJ PRODUCTS LLC World Headquarters

6122 S. Eastern Ave. | Los Angeles, CA 90040 USA

Tel: 800-322-6337 | Fax: 323-582-2941 | www.adj.com | lsupport@adj.com

ADJ Supply Europe B.V.

Junostraat 2 | 6468 EW Kerkrade | Netherlands

Tel: +31 45 546 85 00 | Fax: +31 45 546 85 99 | www.americandj.eu | service@americandj.eu

Europe Energy Saving Notice

Energy Saving Matters (EuP 2009/125/EC)

Saving electric energy is a key to help protecting the environment. Please turn off all electrical products when they are not in use. To avoid power consumption in idle mode, disconnect all electrical equipment from power when not in use. Thank you!

DOCUMENT VERSION



Due to additional product features and/or enhancements, an updated version of this document may be available online.

Please check www.adj.com for the latest revision/update of this manual before beginning installation and/or programming.

Date	Document Version	Software Version	DMX Channel Mode	Notes
05/29/24	1.0	4.01	Not Applicable	Initial Release

CONTENTS

General Information	4
Limited Warranty (USA Only)	5
Features Warranty Registration	6
Safety Guidelines	7
Overview	8
Installation	9
Remote Device Management (RDM)	12
Driver Output Limitations	13
RGB Pixel Control	15
Max Patch	17
System Menu	18
Software Updates	21
Specifications	22
Dimensional Drawings	23
Accessories	24

GENERAL INFORMATION

INTRODUCTION

Please read and understand the instructions in this manual carefully and thoroughly before attempting to operate this device. These instructions contain important safety and use information.

This product is intended for use by professionally trained personnel only, and is not suitable for private use.

Unpacking

Every device has been thoroughly tested and has been shipped in perfect operating condition. Carefully check the shipping carton for damage that may have occurred during shipping. If the carton is damaged, carefully inspect the device for damage, and be sure all accessories necessary to install and operate the device have arrived intact. In the event damage has been found or parts are missing, please contact our customer support team for further instructions. Please do not return this device to your dealer without first contacting customer support. Please do not discard the shipping carton in the trash. Please recycle whenever possible.

BOX CONTENTS

Twist-Lock power cable
19-inch rack mount ears
4-pin data cable

CUSTOMER SUPPORT

Contact ADJ Service for any product related service and support needs. Also visit forums.adj.com with questions, comments or suggestions.

ADJ SERVICE USA - Monday - Friday 8:00am to 4:30pm PST
323-582-2650 | Fax: 323-832-2941 | support@adj.com

ADJ SERVICE EUROPE - Monday - Friday 08:30 to 17:00 CET
+31 45 546 85 60 | Fax: +31 45 546 85 96 | support@adj.eu

REPLACEMENT PARTS please visit parts.adj.com



IMPORTANT NOTICE!

THERE ARE NO USER SERVICEABLE PARTS INSIDE THIS UNIT. DO NOT ATTEMPT ANY REPAIRS YOURSELF; DOING SO WILL VOID YOUR MANUFACTURER'S WARRANTY. DAMAGES RESULTING FROM MODIFICATIONS TO THIS FIXTURE AND/OR THE DISREGARD OF SAFETY INSTRUCTIONS AND GUIDELINES IN THIS MANUAL VOID THE MANUFACTURER'S WARRANTY AND ARE NOT SUBJECT TO WARRANTY CLAIMS AND/OR REPAIRS.

LIMITED WARRANTY (USA ONLY)

- A. ADJ Products, LLC hereby warrants, to the original purchaser, ADJ Products, LLC products to be free of manufacturing defects in material and workmanship for a prescribed period from the date of purchase (see specific warranty period on reverse). This warranty shall be valid only if the product is purchased within the United States of America, including possessions and territories. It is the owner's responsibility to establish the date and place of purchase by acceptable evidence, at the time service is sought.
- B. For warranty service, you must obtain a Return Authorization number (RA#) before sending back the product-please contact ADJ Products, LLC Service Department at 800-322-6337. Send the product only to the ADJ Products, LLC factory. All shipping charges must be pre-paid. If the requested repairs or service (including parts replacement) are within the terms of this warranty, ADJ Products, LLC will pay return shipping charges only to a designated point within the United States. If the entire instrument is sent, it must be shipped in its original package. No accessories should be shipped with the product. If any accessories are shipped with the product, ADJ Products, LLC shall have no liability whatsoever for loss of or damage to any such accessories, or for the safe return thereof.
- C. This warranty is void if the serial number has been altered or removed; if the product is modified in any manner which ADJ Products, LLC concludes, after inspection, affects the reliability of the product, if the product has been repaired or service by anyone other than ADJ Products, LLC factory unless prior written authorization was issued to purchaser by ADJ Products, LLC; if the product is damaged because not properly maintained as set forth in the instruction manual.
- D. This is not a service contract, and this warranty does not include maintenance, cleaning or periodic check up. During the period specified above, ADJ Products, LLC will replace defective parts at its expense with new or refurbished parts, and will absorb all expenses for warranty service and repair labor by reason of defects in material or workmanship. The sole responsibility of ADJ Products, LLC under this warranty shall be limited to the repair of the product, or replacement thereof, including parts, at the sole discretion of ADJ Products, LLC. All products covered by this warranty were manufactured after August 15, 2012, and bear identifying marks to that effect.
- E. ADJ Products, LLC reserves the right to make changes in design and/or improvements upon its products without any obligation to include these changes in any products theretofore manufactured.
- F. No warranty, whether expressed or implied, is given or made with respect to any accessory supplied with products described above. Except to the extent prohibited by applicable law, all implied warranties made by ADJ Products, LLC in connection with this product, including warranties of merchantability or fitness, are limited in duration to the warranty period set forth above. And no warranties, whether expressed or implied, including warranties of merchantability or fitness, shall apply to this product after said period has expired. The consumer's and/or Dealer's sole remedy shall be such repair or replacement as is expressly provided above; and under no circumstances shall ADJ Products, LLC be liable for any loss or damage, direct or consequential, arising out of the use of, or inability to use, this product.
- G. This warranty is the only written warranty applicable to ADJ Products, LLC Products and supersedes all prior warranties and written descriptions of warranty terms and conditions heretofore published.

LIMITED WARRANTY PERIODS

- **Non L.E.D. Lighting Products = 1-year (365 days) Limited Warranty** (Such as: Special Effect Lighting, Intelligent Lighting, UV lighting, Strobes, Fog Machines, Bubble Machines, Mirror Balls, Par Cans, Trussing, Lighting Stands etc. excluding LED and lamps)
- **Laser Products = 1 Year (365 Days) Limited Warranty** (excludes laser diodes which have 6 month limited warranty)
- **L.E.D. Products = 2-year (730 days) Limited Warranty** (excluding batteries which have a 180 day limited warranty)
Note: 2 Year Warranty only applies to purchases within the United States.
- **StarTec Series = 1 Year Limited Warranty** (excluding batteries which have a 180 day limited warranty)
- **ADJ DMX Controllers = 2 Year (730 Days) Limited Warranty**

FEATURES

- Power / data supply for ADJ Lighting Pixie Strip 30, Pixie Strip 60, and Pixie Strip 120
- Manual RGB mode
- Internal programs
- Manual Dimming and Strobe Control
- Full Pixel Mapping Control
- 2,040 Pixels via Kling-Net, Art-Net, and sACN (streaming ACN)
- OLED screen with 4-button menu
- USB port for Firmware Updates

Included Items:

- Twist-Lock power cable
- 19-inch Rack Mount Ears
- 4-Pin Data Cable

WARRANTY REGISTRATION

The Pixie Driver 2000 V3 carries a 2 year limited warranty. Please fill out the enclosed warranty card to validate your purchase. All returned service items, whether under warranty or not, must be freight pre-paid and accompanied by a return authorization (R.A.) number. The R.A. number must be clearly written on the outside of the return package. A brief description of the problem as well as the R.A. number must also be written down on a piece of paper included in the shipping carton. If the unit is under warranty, you must provide a copy of your proof of purchase invoice. You may obtain an R.A. number by contacting our customer support team. All packages returned to the service department not displaying an R.A. number on the outside of the package will be returned to the shipper.

SAFETY GUIDELINES

For Your Own Personal Safety, Please Read and Understand This Manual Completely Before You Attempt To Install Or Operate This Unit!

- Be sure to save the packing carton in the unlikely event the device may have to be returned for service
- Do not spill water or other liquids into or on to the device.
- Be sure that the local power outlet matches the required voltage for the device
- Do not open up the device under any conditions. There are no user serviceable parts inside
- Disconnect the device's main power when left unused for long periods of time
- Never connect this device to a dimmer pack
- Do not attempt to operate this device if it has been damaged in any way
- Never operate this device with the cover removed
- To reduce the risk of electrical shock or fire, do not expose this device to rain or moisture
- Do not attempt to operate this device if the power cord has been frayed or broken. Do not attempt to remove or break off the ground prong from the electrical cord. This prong is used to reduce the risk of electrical shock and fire in case of an internal short
- Disconnect from main power before making any type of connection
- Never block the ventilation holes. Always be sure to mount this device in an area that will allow proper ventilation. Allow about 6" (15cm) between this device and a wall
- This unit is intended for indoor use only. Use of this product outdoors voids all warranties
- Always mount this unit in a safe and stable matter
- Please route your power cord out of the way of foot traffic. Power cords should be routed so they are not likely to be walked on, or pinched by items placed upon or against them

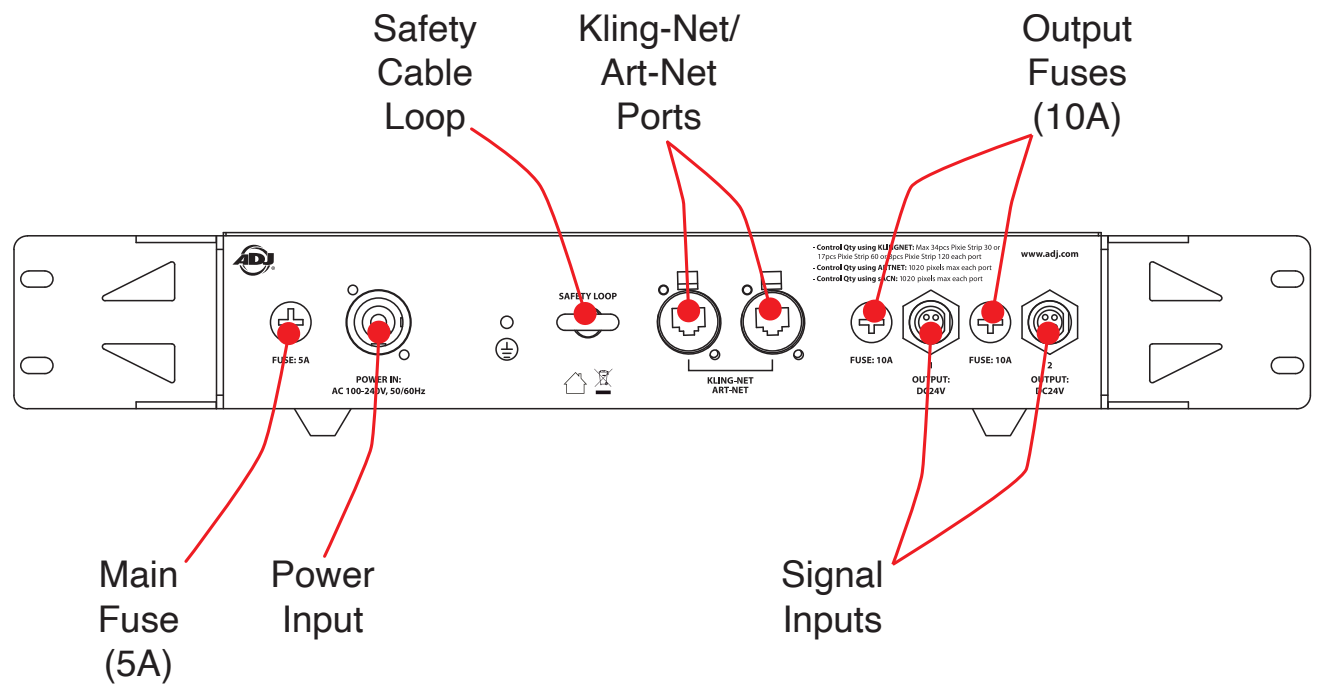
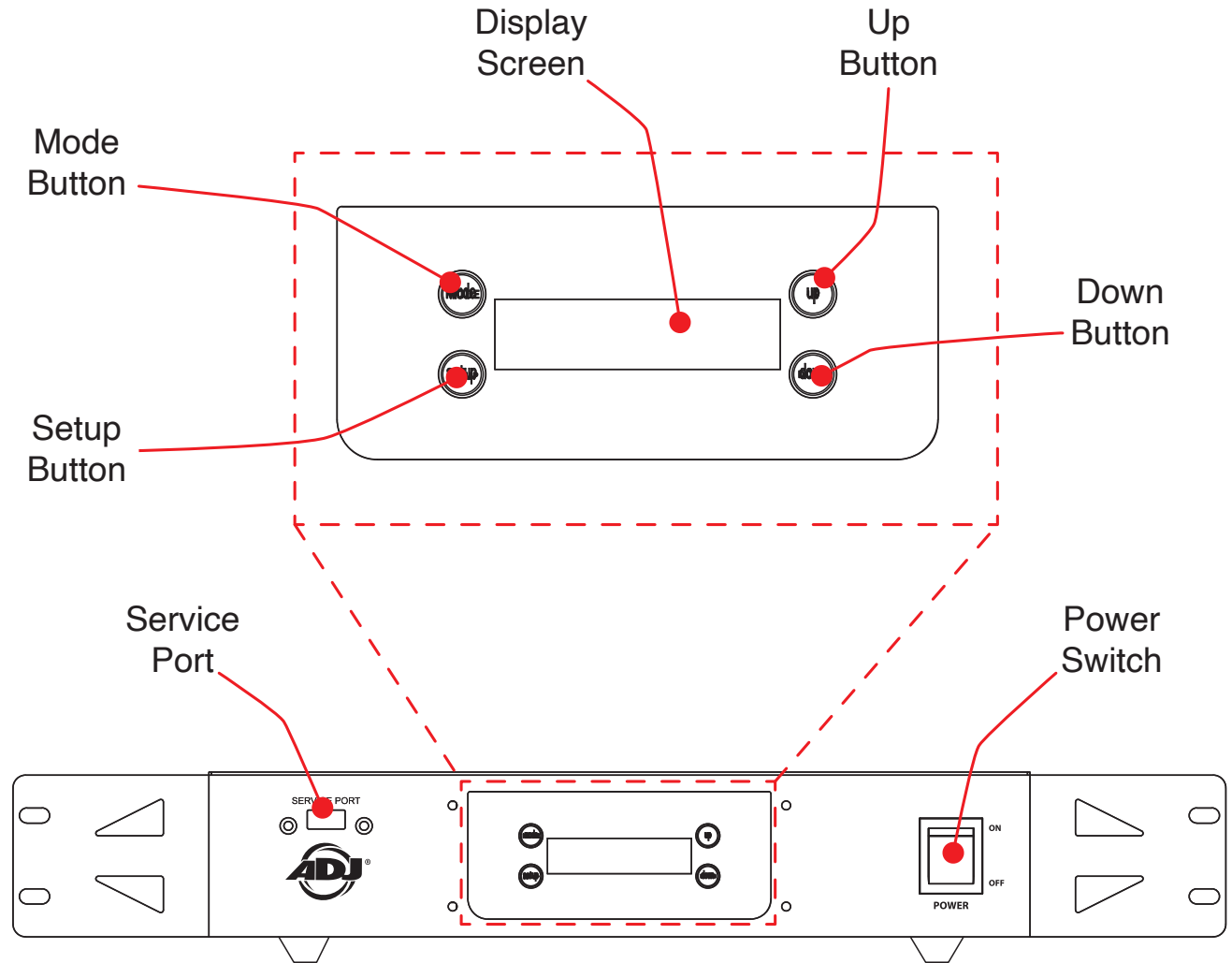
Ambient operating temperature ranges is from -4°F to 113°F (-20°C to 45°C). Do not operate this device when ambient temperature falls outside of this range!

Keep flammable materials away from this fixture!

IP20 Rating: Fixture is protected against solids approximately the size of an adult finger, or larger. FIXTURE IS NOT PROTECTED AGAINST LIQUID INTRUSION OF ANY KIND!

- The device should be serviced by qualified service personnel when:
 - A. The power-supply cord or the plug has been damaged.
 - B. Objects have fallen on, or liquid has been spilled into, the device.
 - C. The device has been exposed to rain or water.
 - D. The appliance does not appear to operate normally or exhibits a marked change in performance.

OVERVIEW



INSTALLATION

FLAMMABLE MATERIAL WARNING!

Keep drive a minimum of 5.0 feet (1.5m) away from flammable material and/or pyrotechnics.

ELECTRICAL CONNECTIONS

A qualified electrician should be used for all electrical connections and/or installations.

DO NOT INSTALL THE DEVICE IF YOU ARE NOT QUALIFIED TO DO SO!

The driver **MUST** be installed following all local, national, and country commercial electrical and construction codes and regulations.

Before installing or mounting any device, a professional equipment installer **MUST** be consulted to determine whether the mounting structure or surface is properly certified to safely support the combined weight of the device and any relevant accessories.

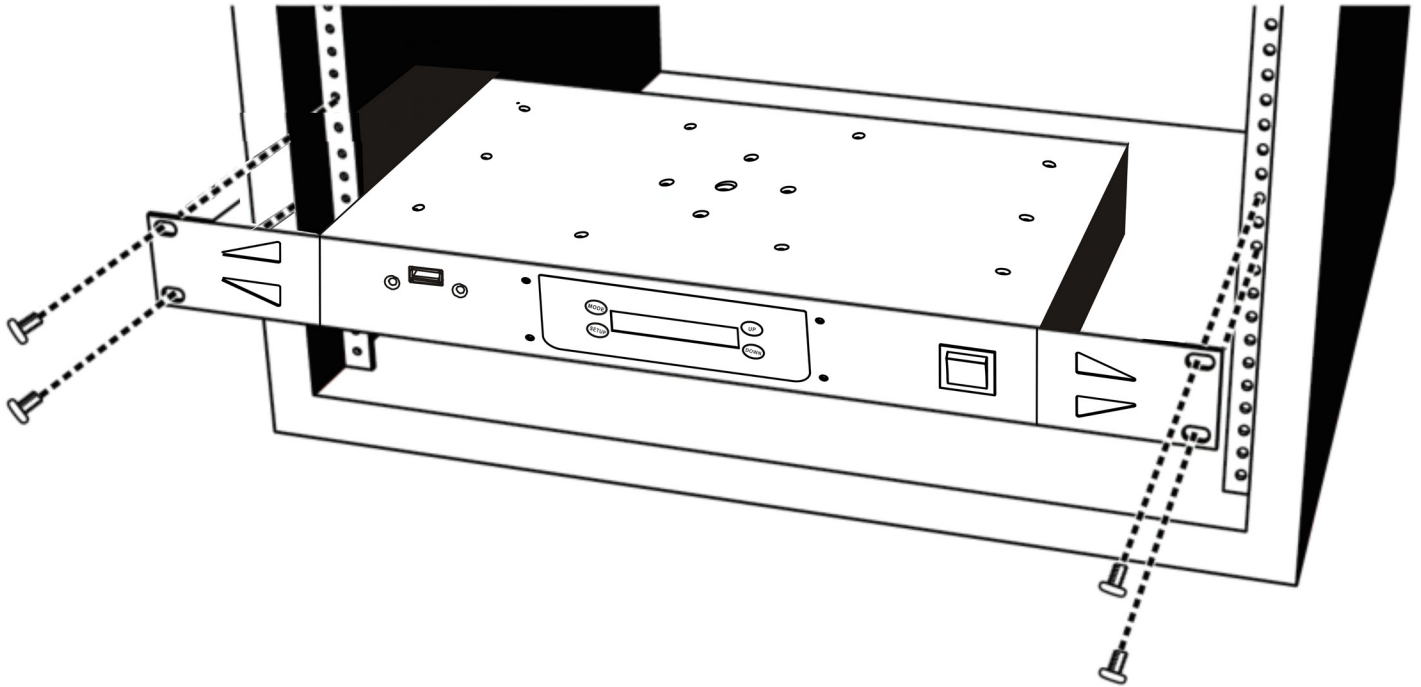
Ambient operating temperature range is from **-4°F to 113°F (-20°C to 45°C)**. Do not operate this device when ambient temperature falls outside this range.

The device should be installed in areas outside walking paths, seating areas, or away from areas where unauthorized personnel might be able to reach the device by hand.

INSTALLATION

RACK MOUNTING

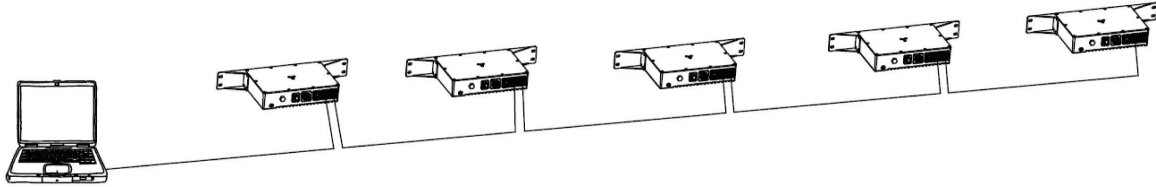
This device can be mounted in a standard 19-inch rack using the mounting brackets located on each side of the device. Make sure to use mounting hardware that fits the mounting holes on the device as well as the rack itself. Use all four (4) points on the mounting brackets to ensure that the device is mounted securely. Please see the illustration above for reference.



INSTALLATION

MULTIPLE DRIVERS

Up to five (5) Pixie Driver 2000 V3 devices may be daisy-chained directly together and linked to a single controller. See the image below for reference. **Do NOT daisy-chain more than five (5) devices directly together.**



If more than five (5) devices are required, a one-gigabit ethernet switch may be used to expand the size of the network. However, even in this case, no more than ten (10) branches from the ethernet switch are allowable, with each branch containing up to five (5) daisy-chained devices. This permits a maximum of fifty (50) devices to be linked to a single controller, as shown in the image below.

Do NOT exceed this number of devices!



ALLOWABLE CABLE LENGTHS

16-AWG 4-pin extension cable may be used to link multiple devices. However, please take note of maximum allowable cable lengths, as listed below.

- Max length of cable connecting a controller and a device: 59 feet (18m)
- Max length of cable connecting two devices: 32 feet (10m)
- Max total cable length in a single chain: 98 feet (30m) including the lengths of the lighting strip(s)

REMOTE DEVICE MANAGEMENT (RDM)

NOTE: In order for RDM to work properly, RDM enabled equipment must be used throughout the entire system, including DMX data splitters and wireless systems.

Remote Device Management (RDM) is a protocol that sits on top of the DMX512 data standard for lighting, allowing the DMX systems of the device to be managed, modified, and monitored remotely (hence, remote device management). This protocol is ideal for fixtures installed in locations that are not easily accessible.

With RDM, the DMX512 system becomes bi-directional, allowing a compatible RDM enabled controller to send out a signal to devices on the wire, as well as allowing the fixture to respond (known as a GET command). The controller can then use it's SET command to modify settings that would typically have to be changed or viewed directly via the unit's display screen, including the DMX Address, DMX Channel Mode, and Temperature Sensors.

RDM Code	Device ID	Device Model ID	Personality ID
1900	0000-FFFF	0007	N/A

Please be aware that not all RDM devices support all RDM features, and therefore it is important to check beforehand to ensure that the equipment that you are considering includes all of the features that you require.

The following parameters are accessible in RDM on this device:

[0x0001] Disc Unique Branch
[0x0002] Disc Mute
[0x0003] Disc Un Mute
[0x0050] Supported Parameters
[0x0060] Device Info
[0x0081] Manufacturer Label
[0x0082] Device Label
[0x00C0] Software Version Label
[0x00E0] DMX Personality
[0x00F0] DMX Start Address

DRIVER OUTPUT LIMITATIONS

There is a limitation to how many pixels can be controlled by each driver output port, which in turn determines the maximum number of lighting fixtures that can be controlled by a single output or driver.

The values listed in the following tables for number of fixtures per driver port/driver unit are representative of the maximum number of fixtures that can be connected if the fixtures used are all of the same model type, with individual pixel control.

For example, if you connect only Pixie Strip 30s to the driver, and operate the driver in Kling-Net mode, you can connect up to 34 units of that model type to each driver port. This is defined by the fact that each driver port can handle a maximum of 1020 pixels, and each Pixie Strip 30 fixture is made up of 30 pixels. Therefore, you have 1020 pixels per driver port, divided by 30 pixels per fixture, which equals 34 fixtures per driver port.

It is possible to mix and match Pixie Strip model types that are attached to a single driver port. In this case, the important thing to keep in mind is the maximum number of pixels per driver port.

As long as this value is not exceeded, any combination of Pixie Strip 30s, 60s, and 120s may be used.

PIXIE STRIP 30/60/120

MODEL	TOTAL PIXELS	TOTAL CONTROL CHAN.	KLING-NET / ARTNET / sACN MAX PIXELS PER PORT = 1020 MAX PIXELS PER DRIVER = 2040			
			MAX FIXTURES per DRIVER PORT	MAX PIXELS per DRIVER PORT	MAX FIXTURES per DRIVER UNIT	MAX PIXELS per DRIVER UNIT
Pixie Strip 30	30	90	34	1020	68	2040
Pixie Strip 60	60	180	17	1020	34	2040
Pixie Strip 120	120	360	8	960	16	1920

DRIVER OUTPUT LIMITATIONS

Your Pixie Driver 2000 V3 is programmed not to allow Pixie Strip fixtures to be added in such a way that the maximum number of pixels per port would be exceeded. This is done by limiting the number of Pixie Strip units that can be selected in the System Menu based on what has already been set up on the unit.

If we look at the example from the previous section, where 34 Pixie Strip 30s have been set up on a single port in Kling-Net mode, the System Menu will not allow any further fixtures to be set up on that port, regardless of model. This is because 34 fixtures, times 30 pixels per fixture, occupies 1020 pixels. If we then tried to set up a Pixie Strip 60, the System Menu would not allow any values other than “0” to be selected, because the port has no remaining free pixel capacity. If you are having trouble adding the desired number of fixtures to a driver port, double check the number of fixtures of other Pixie Strip models that have been set up to see if they are using up all of the available pixel space on that port.

PIXELS IN USE		PIXELS FREE
34 x Pixie Strip 30	1020 pixels	1020 pixel capacity - 1020 pixels in use <hr/> 0 pixels free
0 x Pixie Strip 60	0 pixels	
0 x Pixie Strip 120	0 pixels	
	1020 total pixels in use	

In this case, we would first need to “make room” on this driver port by reducing the number of Pixie Strip 30s that are set up. If we reduce the number of Pixie Strip 30s by two units, we then have a total free pixel capacity of 60 pixels on this port.

PIXELS IN USE		PIXELS FREE
32 x Pixie Strip 30	960 pixels	1020 pixel capacity - 960 pixels in use <hr/> 60 pixels free
0 x Pixie Strip 60	0 pixels	
0 x Pixie Strip 120	0 pixels	
	960 total pixels in use	

Now that we have freed up pixels on this driver port, we are able to add the Pixie Strip 60, as desired. The System Menu now allows you to increase the number of Pixie Strip 60s on this driver port to 1, *but it will not allow you to increase the number any higher* because there are not enough pixels free to add more than 1 Pixie Strip 60. Notice, too, that the only selectable value for Pixie Strip 120s is “0” due to the fact that 60 free pixels is not enough to run a single Pixie Strip 120.

PIXELS IN USE		PIXELS FREE
32 x Pixie Strip 30	960 pixels	1020 pixel capacity - 1020 pixels in use <hr/> 0 pixels free
1 x Pixie Strip 60	60 pixels	
0 x Pixie Strip 120	0 pixels	
	1020 total pixels in use	

If you are having trouble adding the desired number of fixtures to a driver port, double check the number of fixtures of other Pixie Strip models that have been set up to see if they are using up all of the available pixel space on that port.

RGB PIXEL CONTROL

This feature gives the user the ability to adjust the RGB Pixel Control configuration of the device. Individual pixels may be controlled independently for finer control over the resolution of the device's lighting display. Alternately, multiple individual pixels may be grouped together under a common set of control channels in order to reduce the number of required control channels. This also reduces the effective pixel count for each fixture, thereby allowing an increased number of fixtures to be operated off of the same driver port (see the **Driver Output Limitations** section). The downside to this is the reduced resolution of the lighting display.

For example, if the user is setting up a Pixie Strip 30 containing thirty (30) individual pixels, the finest level of control would be 1x30, which signifies 30 groups of 1 pixel each. In a 1x30 pixel control configuration, each of the 30 pixels is controlled independently, giving the lighting display a fine degree of resolution. However, each individual pixel requires 3 control channels (Red, Green, and Blue), and therefore 90 control channels are required to operate the device in this configuration, in addition to the need for the driver port to have free capacity to control at least 30 pixels.

If using fewer control channels or less driver port pixel capacity is desired, the user may opt for a different pixel control configuration, such as 2x15. This configuration separates the lighting display into 15 groups, each containing 2 individual pixels, with each group being controlled by a single set of control channels. Thus, the requirement for number of control channels is reduced to 45 (15 groups each requiring 3 control channels for Red, Green, and Blue). Moreover, each group of 2 pixels can now be treated effectively as a single large pixel, reducing the required driver port free pixel capacity to just 15 pixels. **This is particularly useful when operating in Art-Net or sACN mode, where each driver port can accommodate a relatively limited number of pixels.**

RGB PIXEL CONTROL

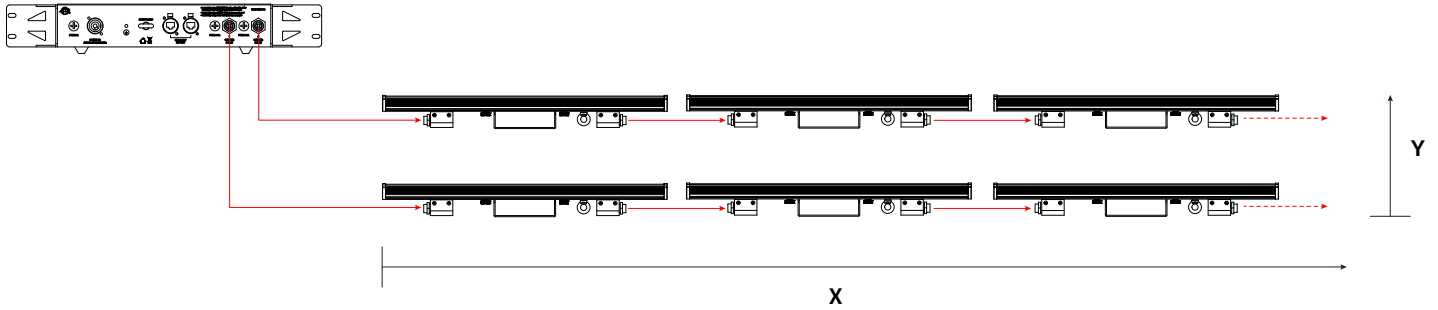
Available pixel control modes:

Pixie Strip 30	Pixie Strip 60	Pixie Strip 120
30x1	60x1	120x1
15x2	30x2	60x2
10x3	20x3	40x3
6x5	15x4	30x4
5x6	12x5	24x5
3x10	10x6	20x6
2x15	6x10	15x8
	5x12	12x10
	4x15	10x12
	3x20	8x15
	2x30	6x20
		5x24
		4x30
		3x40
		2x60

MAX PATCH

In Artnet or sACN mode, this driver features a Max Patch function, which allows the user to configure a group of fixtures into an assembly that resembles a large video panel. Follow the steps below:

1. Link your fixtures to the driver. A string of connected fixtures may be connected to each port, as long as the number of pixels per port conform to the limits listed in the KlingNet/Artnet/sACN table in the **Driver Output Limitations** section of this manual.

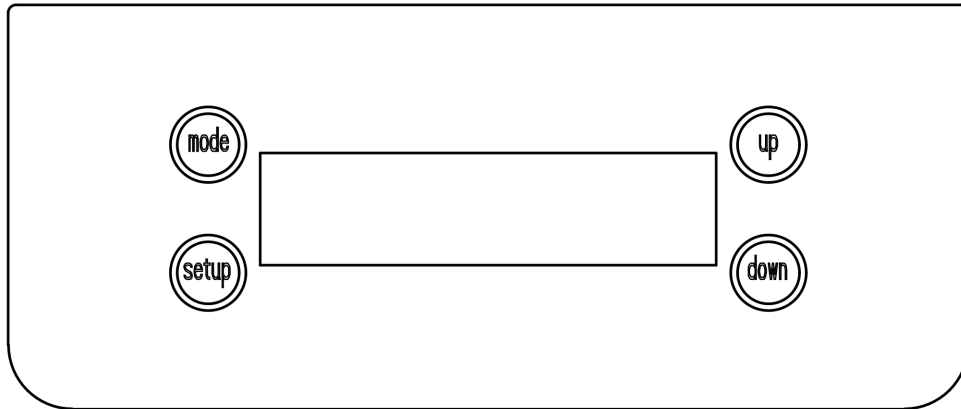


2. In the system menu, navigate to either **Artnet > Max Patch En/Dis** or **sACN > Max Patch En/Dis**, depending on which mode is in use. Press the SET UP button, then use the UP and DOWN buttons to toggle this setting to “Enable”.
3. Navigate to either **Artnet > Max Patch** or **sACN > Max Patch**, depending on which mode is in use. Press the SET UP button.
4. Use the UP and DOWN buttons to set values for X and Y. X and Y represent the number of pixels in the patch as defined in the illustration above. Please note, the values for X and Y are in terms of individual lighting pixels, and NOT whole lighting fixtures. For example, if the fixtures in the illustration above are Pixie Strip 30s (which have 30 pixels per fixture), then X = 90 pixels (3 units x 30 pixels per unit), and Y = 4 pixels.

SYSTEM MENU

The device includes an easy to navigate system menu control panel display where all necessary settings and adjustments are made (see image below).

- The **MODE** button is used to cycle through main menu options, or to return to the previous menu.
- The **SETUP** button is used to select an option in either the main menu or the sub-menu of any main menu item, and to cycle through the sub-menu options.
- The **UP** and **DOWN** buttons are used to adjust the values of the sub-menu options.



DMX ADDRESS FOR PIXIE STRIPS SETUP

When setting up this driver to control Pixie Strips in either ArtNet Mode or sACN Control Mode, the user has the ability to manually select the DMX address by navigating to the “Pixie Strip Setup” sub-menu, then selecting the “DMX Channel” option. However, selecting this value manually is NOT necessary, as this driver is intelligent enough to assign the DMX addresses automatically according to the number of control channels required by each device being controlled.

SYSTEM MENU

MODE	SET UP	UP/DOWN	DESCRIPTION
MANUAL MODE	Red Dimmer	Manual Control Red: xxx	Adjust intensity of red color
	Green Dimmer	Manual Control Green: xxx	Adjust intensity of green color
	Blue Dimmer	Manual Control Blue: xxx	Adjust intensity of blue color
	Output Enable or Disable Set	Manual Control: Out1: Enable / Disable	Enable or disable output 1
Manual Control: Out2: Enable / Disable		Enable or disable output 2	
KLINGNET MODE	Pixie Strip Setup	Klingnet Out x Pixie Strip xxx	Select which Pixie Strip model will be connected to each output. • x = Output Port (1 or 2) • xxx = Pixie Strip model (30, 60, or 120)
		Klingnet Out x xxx Number xx	Select the number of individual Pixie Strip units that will be connected to each output. • xx = number of units
		Klingnet Out x xx X xx RGB Pixels	Select the RGB Pixel Control mode. See the RGB Pixel Control section of this manual for a full list of selectable values.
IP ADDRESS	IP Address Set	IP Address Out 1 xxx:xxx:xxx:xxx	Set IP address of each output.
		IP Address Out 2 xxx:xxx:xxx:xxx	
ARTNET MODE	DMX Universe Set	Universe Out x U:xxxxx	Set DMX universe of each output.
	Pixie Strip Setup	Artnet Out x Pixie Strip xxx	Select which Pixie Strip model will be connected to each output. • x = Output Port (1 or 2) • xxx = Pixie Strip model (30, 60, or 120)
		Artnet Out x xxx Number xx	Select the number of individual Pixie Strip units that will be connected to each output. • xx = number of units
		Artnet Out x xx X xx RGB Pixels	Select the RGB Pixel Control mode. See the RGB Pixel Control section of this manual for a full list of selectable values.
		Artnet Out x DMX Address: xxx	Set the DMX start address of the connected device for each port
	Max Patch	Artnet Out x X:xxxx Y:xxxx	Set patch width and height
	Max Path EN/DIS	Artnet Out x Enable / Disable	Enable or disable max patch mode

SYSTEM MENU

MODE	SETUP	UP / DOWN	DESCRIPTION
sACN CONTROL MODE	DMX Universe Set	sACN Out x U:xxxx	Set the DMX universe of each output (x).
	Pixie Strip Setup	sACN Out x Pixie Strip xxx	Select which Pixie Strip model will be connected to each output. • x = Output Port (1 or 2) • xxx = Pixie Strip model (30, 60, or 120)
		sACN Out x xxx Number xx	Select the number of individual Pixie Strip units that will be connected to each output. • xx = number of units
		sACN Out x xx X xx RGB Pixels	Select the RGB Pixel Control mode. See the RGB Pixel Control section of this manual for a full list of selectable values.
		sACN Out x DMX Address: xxx	Set the DMX start address of the connected device for each port
	Max Patch	sACN Out x X:xxxx Y:xxxx	Set patch width and height
	Max Path EN/DIS	sACN Out x Enable / Disable	Enable or disable max patch mode
BUILT IN PROGRAM MODE	Program Play Set	Programs Program xx	Select a built-in program
		Programs Speed xx	Set the program speed
		Programs Fade xx	Set the program fade speed
		Programs Phase Time xx	Set the phase time
	Pixie Strips Setup	Program Out x Pixie Strip xxx	Select which Pixie Strip model will be connected to each output. • x = Output Port (1 or 2) • xxx = Pixie Strip model (30, 60, or 120)
		Program Out x xxx Number xx	Select the number of individual Pixie Strip units that will be connected to each output. xx = number of units
SETUP OPTIONS	OLED Display Rotate	Rotate Display Yes / No	Rotate display 180 degrees
	System Reset	Setup Options Sys Reset	Reset the unit to factory default settings
SOFTWARE VERSION	Software Version Display	Software Version Port1 Vx.x	Display software version of port 1
		Software Version Port 2 Vx.x	Display software version of port 2
SERVICE	Software Update	Service Passcode: xxx	Passcode = 011. Enter passcode then press SETUP button to open software update menu
		Update Software Yes / No	Update software

NOTE: Although the Pixie Curve 60 fixture does not appear in the System Menu, it is still compatible with this driver, and it can be controlled by selecting the setting(s) for the Pixie Strip 60.

SOFTWARE UPDATES

To update the unit via the USB port, follow the directions shown below:

1. Begin by loading the software provided by ADJ onto an empty USB flash drive (4GB or smaller is recommended).
2. In the system menu, navigate to Service > Passcode > Update Software, then select “Yes.” The passcode is “011”. Refer to the **System Menu** section of this manual.
3. The software update should begin once the “Yes” option is selected. When the software update has been completed, the screen will display the message “Software Update OK”.
4. Remove the USB, turn the unit off, then turn it back on. The unit should now operate with the updated software installed.

SPECIFICATIONS

Control Features:

- Power / data supply for ADJ Lighting Pixie Strip 30, Pixie Strip 60, and Pixie Strip 120
- Manual RGB mode
- Internal programs
- Manual Dimming and Strobe Control
- Full Pixel Mapping Control
- 2,040 Pixels via Kling-Net, ArtNet, and sACN (1020 pixels per port)
- OLED screen with 4-button menu
- RDM compatible
- USB port for Firmware Updates

Control Quantity:

- KlingNet/Art-Net/sACN: 34x Pixie Strip 30; 17x Pixie Strip 60; 8x Pixie Strip 120 (per port, or any combination not exceeding 1,020 pixels per port)

Connections:

- Power: PowerLock Input
- Two locking RJ45 ports
- Two 4-pin DC24V power/data outputs to Pixie Strips

Mounting Options:

- Bolt to add a clamp to hang from truss (clamp and truss not included)
- Includes 19-inch rack mount ears
- Safety eye

Electrical:

- Multi-voltage operation: AC 100-240V, 50/60Hz
- Power Consumption: 400W max
- -4°F to 113°F (-20°C to 45°C)

Dimensions / Weight:

- Dimensions (LxWxH): 18.9" x 7.11" x 2.91" / 480x180.8x74mm
- Weight: 5.6 lbs. / 2.5 kg.

What's Included:

- Twist-Lock power cable
- 19-inch rack mount ears
- 4-pin data cable

Approvals:

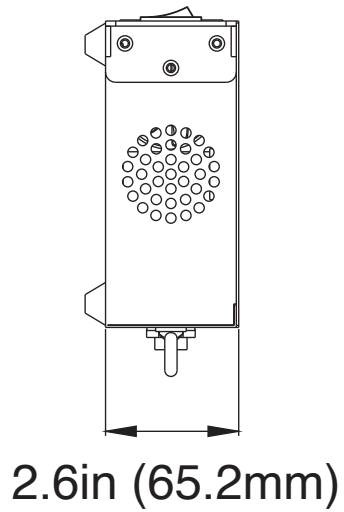
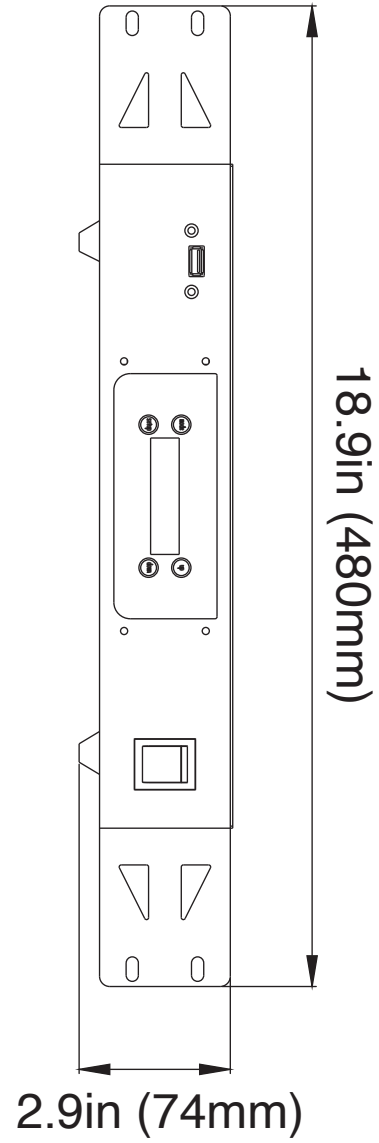
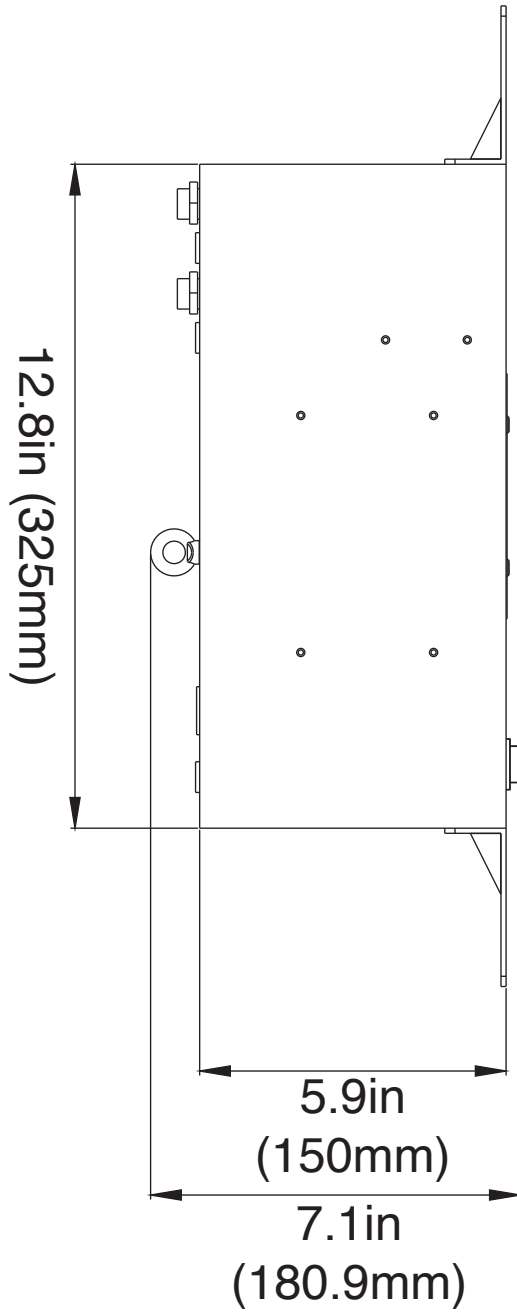
- CE

Please Note: Specifications and improvements in the design of this unit and this manual are subject to change without any prior written notice.



DIMENSIONAL DRAWINGS

Dimensions may not be drawn to scale.



ACCESSORIES

Order Code	Description
PIX158	PSLC1: 1-foot Pixie Strip Link Cable
PIX174	PSLC3: 3-foot Pixie Strip Link Cable
PIX188	PSLC5: 5-foot Pixie Strip Link Cable
PIX200	PSLC10: 10-foot Pixie Strip Link Cable
PIX213	PSLC15: 15-foot Pixie Strip Link Cable
PIX229	PSLC25: 25-foot Pixie Strip Link Cable
PIX242	PSLC50: 50-foot Pixie Strip Link Cable

This page intentionally left blank.

